

CASTER KIT



Order two swivel caster kits or one swivel caster kit plus one stationary caster kit.
 Height = 3.72 in. (94 mm)
 Wheel diameter = 3.00 in. (76 mm)
 Load rating each = 210 lb. (95 kg)

BULLETIN: C1

Catalog Number	Description
AC4M6ST	Caster kit, stationary (2 casters per kit)
AC4M6SV	Caster kit, swivel (2 casters per kit)
CCPK18	Caster plate kit, 18 in., (2 plates per kit)

Order two swivel caster kits or one swivel caster kit plus one stationary caster kit.

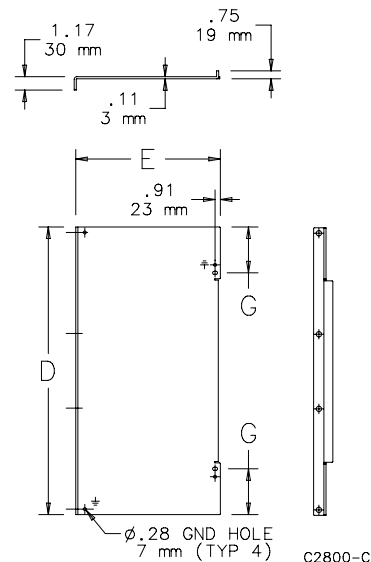
SIDE PANELS



One panel per kit. Two kits required if a panel is needed on each side.

BULLETIN: C1

Catalog Number	D in./mm	E in./mm	G in./mm
CPC3816	27.15 690	13.65 347	4.33 110
CPC4823	31.57 802	16.65 423	3.54 40





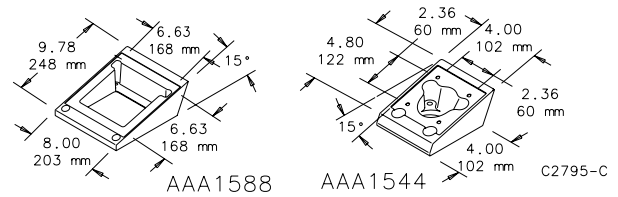
ANGLE ADAPTER



Angle Adapter fits top of pedestal and provides a fixed tilt of 15 degrees from horizontal for enclosure mounting. Angle Adapter is aluminum with large cable opening and has clear anodized aluminum finish. Mounting hardware is included.

BULLETIN: P1

Catalog Number	Fits
AAA1544	4 x 4 pedestal
AAA1588	8 x 8 pedestal



HANDLES



PUHKA

PUHK

Handles attach to sides, top or bottom of sloped front to provide maximum operator control when using the suspension system, swivel or swivel tilt. Location dimples on the sides of sloped fronts indicate drill-hole location for standard mounting. Handles attach inside enclosure.

BULLETIN: P1

Catalog Number	Description	Fits
PUHK	(2) die-cast aluminum handles (9.75 in./248 mm)	PROLINE Sloped-Fronts
PUHKA	(2) tubular steel handles with soft coating (9.75 in./248 mm)	PROLINE Sloped-Fronts

PEDESTAL CASTER KITS



Casters can be used on pedestals in limited applications. They are attached to the die-cast legs of steel Pedestals. Four dual-wheel casters replace furnished levelers.

BULLETIN: C1, DEC1

Catalog Number	Description	Number of Casters	Height (in.)	Height (mm)	Wheel Dia. (in.)	Wheel Dia. (mm)	Load Rating Ea. (lb.)	Load Rating Ea. (kg)
AC4M6SV	Castors, swivel type with brakes	2	3.72	94	3.00	76	210	95
AC4M6ST	Castors, stationary type	2	3.72	94	3.00	76	210	95

Two sets of AC4M6SV and AC4M6ST casters are required.
Height columns show height of caster when installed.

STAINLESS STEEL LEGS



Legs mount to the bottom of a solid base to elevate the enclosure 4 in. (100 mm) from the floor. The legs are made of Type 304 stainless steel and are appropriate for hose-down applications. Mounting hardware is included.

NOTE: These legs will not fit on the PROLINE G2 Fully-Sealed Plinth Base.

BULLETIN: P20S

Catalog Number	Description
PLEGSS	(4) Stainless Steel Legs

